


PRODUCT FEATURES

- Wi-Fi/BLE thermostat
- Internal room sensor
- Floor sensor
- Power regulator
- Temperature limiter
- 3 modes; Heat - Cool and Eco
- Hysteresis/PWM
- Temperature calibration
- Open window detection
- External room sensor (wired by cable)
- Google Home, Amazon Alexa and open API (pending)
- Profiles; Home - Away - Night - Holiday
- ZeroX detection
- Relay status icon
- Adjustable display brightness
- Single pole switch
- Lock mode/child lock
- Weekly schedule in app
- Active power metering
- Firmware update (OTA)

PRODUCT DATA

Colour	White RAL 9003
Material	Polycarbonate (PC)
Mounting	European Junction Box
Min. and max ambient humidity (RH%)	10 til 85%
Ambient temperature range in use	5 til 40°C
Ambient temperature range in storage	-30 til 70°C
Min/max installation temperature	5 til 40°C

THERMOSTAT DATA

Compatible NTC-sensors (kΩ @ 25°C)	6,8, 10, 12, 15, 22, 33, 47, 100
Power regulator	Timed cycle 0-30 minutes
Error margin temperature	0,5°C
Temperature sensitivity	±0,5
Hysteresis	0,3 to 3,0 (default hysteresis 0,5)
Ohm value at 25°C	10kΩ
Regulation temperature	5 til 40°C

STANDARDS

EN Standards	Nemko, CE
Certification	RoHS, Reach
IP Code	IP21

WARRANTY

Warranty international	2 years
------------------------	---------

HEATIT WiFi6 THERMOSTAT WHITE RAL 9003

Wi-Fi thermostat 3600W 16A

Art.no	5430542
GTIN	7071236018117

Heatit WiFi6 is an electronic thermostat designed for electrical heating. The thermostat can be controlled using the "MyHeatit" App via Wi-Fi, Bluetooth (BLE), or by the buttons on the front of the thermostat. The thermostat has a user friendly interface.

Heatit WiFi6 has 3 modes; Heat - Cool and Eco.

The thermostat fits in standard European junction boxes and may be used with most System 55 frames. It has a sturdy metal frame for secure fastening on the junction box. The thermostat has a built-in room temperature sensor. Two additional external temperature sensors may also be connected. The device has an open API and supports Amazon Alexa and Google Home (open API, Amazon Alexa and Google Home is pending).

The installer configures the system via Wi-Fi. If Wi-Fi is not available, the system can be configured and set up via Bluetooth. After the system is set up, the installer can transfer the property to the customer. The customer can then transfer the system to their Wi-Fi network.

All our new Heatit products with Wi-Fi support will be supported through our app; "MyHeatit". In the "MyHeatit" App, you can create your own profiles such as "Home - Away - Night - Holiday" and thus control, monitor and organize all the connected devices, or control them via weekly schedule.

The thermostat can communicate over a local API, where the user can make integration with a local gateway, server, controller that offers such a service.

Heatit WiFi6 has active power metering, and it allows the user to see the real time power consumption. It also allows you to set the power metering value manually in case of connection with a contactor.

The device has implemented ZeroX technology. This technology makes sure the relay switches at 0V when turning on and off. With this technology the thermostat will have a much longer lifetime.

IOT / SMART HOME SPECIFIC DATA

Alternate IoT-communication protocols	Bluetooth® low energy WiFi (802.11 b/g/n) 2,4GHz
Min radio frequency range	30m
Over The Air update (OTA)	Ja
Push buttons	3
Temperature measurement range	5 til 40°C
Primary IoT Protocol	WiFi Bluetooth

ELECTRO TECHNICAL DATA

Voltage	230VAC 50Hz
Max load (resistive load)	3600W
Own power usage	2W
Switch type	One-pole switch
Max load (resistive load)	16A
Method of regulation	Button regulation Regulation via App
Connection type	Screw clamps
Connection terminals diameter	0.2 til 2.5mm ²
Max tightening torque connections	2N·m
Grounding	No



MAINTENANCE

The device is maintenance-free. Indoor use only.

ADDITIONAL INFORMATION

Approved for use in bathrooms.

ZeroX Detection is pronounced Zero Cross Detection.

PRODUCT INFO RETURN AND RECYCLING

The product must be recycled as electronic waste.

DISCLAIMER

The device can withstand a load of max 16A/3600W at 230VAC. We recommend a contactor for loads above 13A.

Never change the front from one thermostat to another.

We develop and design our products according in accordance with our strict quality requirements (ISO 9001) and environmental requirements (ISO 14001).

All electrical installations must be carried out by an authorized electrical installer. The product must be installed in accordance with our installers manual and national building codes. Any wrongful installation, misuse, damage of the product, is not covered under warranty.

Updated documentation is available at www.heatit.com and/or documents.heatit.com

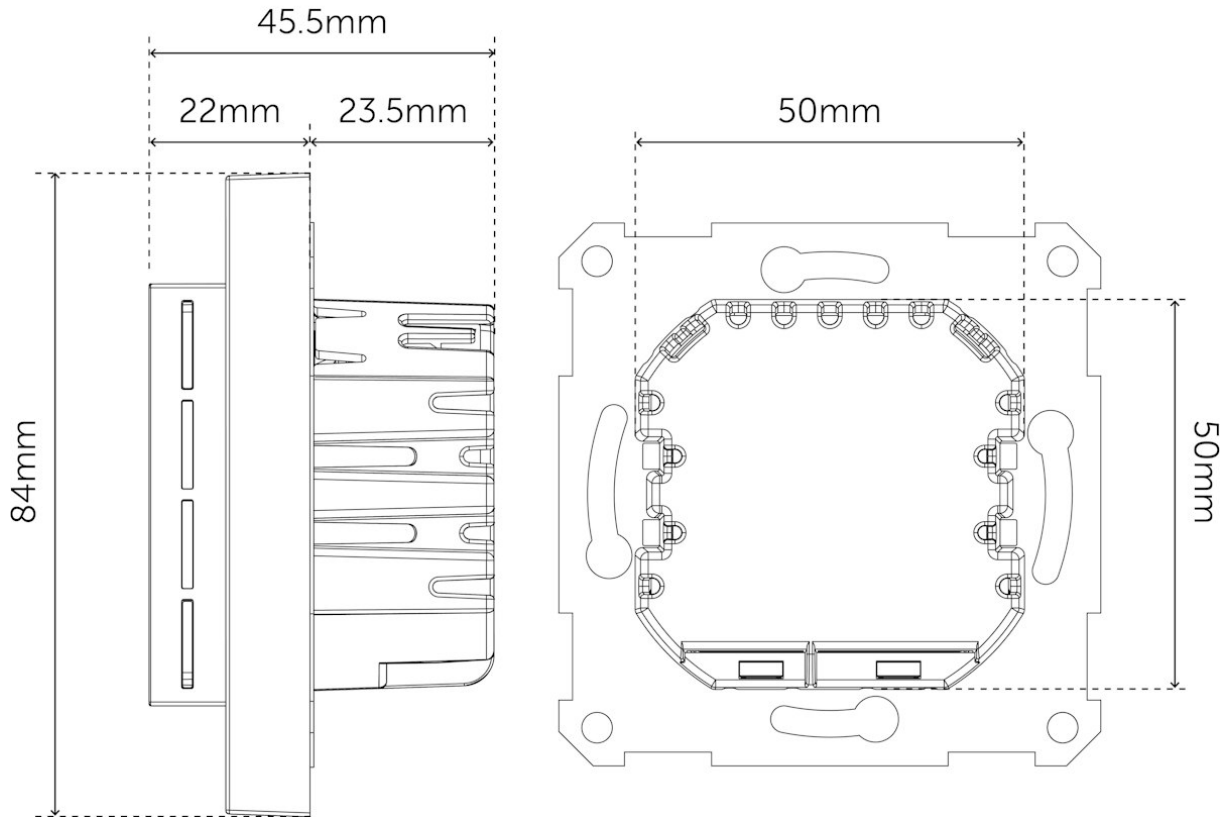
Heatit Controls AB can not be held liable for any type of errors or omissions in our product information.

Product specifications may change without further notice.



HEATIT WiFi6 THERMOSTAT

DIMENSIONS



Heatit WiFi6 Thermostat can be ordered from www.heatit.com/5430542

All additional documentation are available on the above adress and on documents.heatit.com/5430542

