



SONY
Image sensor technology

OSRAM
LED TECHNOLOGY INCLUDED

1080P
FULLHD

D1101KH MODERN

IP VIDEO DOOR STATION

Flush-mount • 1 Call Button • Keypad Module

 Designed,
developed and
made in Germany

ANSWER YOUR DOOR ANYWHERE.

ADVANTAGES

HOW DOES IT WORK?

Imagine, you are not at home and your children have locked themselves out or the courier wants to deliver a parcel. With DoorBird this is no longer a problem. Every time someone rings the doorbell you will get a push notification on your smartphone or tablet. Via the DoorBird App you can talk to visitors and also see them live in HD quality. You will never miss a visitor again. With DoorBird you are on the move and yet at home, even if a burglar rings at the door to check if someone is at home.

SMART HOME STARTS AT THE FRONT DOOR

DoorBird is the smart solution for your house entrance. Simply connect your DoorBird IP Video Door Station to your smartphone and talk to your visitor - anywhere you are. The IP Video Door Station can be used as a stand-alone unit or can be integrated into an existing Smart Home platform. Even existing classic installations such as an electric door opener can still be used and controlled via the DoorBird App.

QUALITY MADE IN GERMANY

All DoorBird products are designed, developed and produced by Bird Home Automation GmbH in Berlin, Germany. We manufacture all products with the greatest care and precision, and deliver them to our customers all over the world.



Open API

- Local interface for integration with third-party systems and SIP



Video and audio call

- On smartphones, tablets (iOS, Android), IP and landline phones (SIP)



Smart Transmission Mode (STM)

- Real-time audio / video communication, optimized for mobile devices via WiFi, 3G, 4G, 5G



Smart Home & NVR compatible

- Control4, Loxone, Crestron, Synology, AVM FRITZ!Fon, URC, QNAP, RTI, ELAN, Fibaro, Bang & Olufsen and others



Automatic door buzzer

- For use in medical offices and office environments

HD HDTV Video

- Ultra wide-angle, hemispheric lens, 180°

4D Motion sensor with 4D technology

- Distance up to 6 m (19.7 ft) adjustable via App (interval: 1 m/3.3 ft)



Free visitor history

- Store still images for free, optional video recording available



Light sensor

- For night vision mode



Noise reduction and echo cancellation (AEC, ANR)



Individual action schedules, e.g.:

- Trigger relay 1 for automatic door release Mo-Fr from 9 am until 4 pm when the call button is pressed
- 4D motion sensor switches on external lamp between 9 pm and 6 am



One freely configurable bistable latching relay

- Control one door or gate via App
- Status configurable via App: temporary or permanent circuit



Keypad Module

- Configurable via App
- More than 1000 individual PIN codes
- Individual events (e.g. switch a relay, HTTP(s) requests)



Geofencing

- Automatic door and gate opening when returning home



Easy self-install

- Quick installation via QR code scan



Easy connection to the network

- Connection via a network cable or bell wire via 2-Wire Ethernet PoE Converter "DooBird A1071" (PoE, network data)



Night vision

- With Infrared LEDs



Call button

- With backlit nameplate



Microphone

- Clear voice transmission

GENERAL	
Front panel	3 mm (0.12 in) Available in brushed stainless steel V2A / V4A
Mounting housing (backbox)	Stainless steel
Mounting type	Flush-mounted, surface-mounted version sold separately
Call button	Plastic see www.doorbird.com/buy
Nameplate	Illuminated
Keypad Module	12 keys, illuminated, configurable via App, e.g. <ul style="list-style-type: none"> Individual PIN codes Individual events (e.g. switch a relay, HTTP(s) request) Individual schedules Up to 1000 PIN codes manageable
Power supply	15 V DC (max. 15 W) or Power over Ethernet (PoE 802.3af Mode-A)
Weight	1595 g
Connectors	<ul style="list-style-type: none"> LAN/PoE (T+, T-, R+, R-) Bistable latching relay, max. 1-24 V DC/AC, 1 A, e.g. for electric door opener External input for external door opener button 15 V DC input (+, -), max. 15 W
Weatherproof	Yes, IP65
Approvals	IP65, CE, FCC, IC, RoHS, REACH, IEC/EN 62368, IEC/EN 62471
Dimensions	179,00 x 214,00 x 48,00 mm (H x W x D) 8.43 x 7.05 x 1.89 in (H x W x D)
Operating conditions	-25 to +55°C / -13 to 131°F Humidity 10 to 85 % RH (non-condensing)
Scope of delivery	1x Main Electrical Unit 1x Front panel 1x Flush-mounting housing (backbox) 1x Power supply unit (mains adaptor) with 4 country-specific outlet adaptors (110 - 240 V AC to 15 V DC) 1x RJ45 adapter 1x Screwdriver 1x Quickstart guide with Digital Passport 1x Installation manual 1x Small parts
Warranty	see www.doorbird.com/warranty

CURRENT SYSTEM REQUIREMENTS

System requirements	Mobile device: Newest iOS on iPhone/iPad, newest Android on Smartphone/Tablet Internet: High-Speed Landline Broadband Internet connection, DSL, cable or fiber optic, no socks or proxy server Network: Ethernet Network, with DHCP
Recommended installation height	Camera lens should be at a min. height of 145 cm (57 in). Before the installation please determine your optimal installation height.

VIDEO

Camera	HDTV 1080p, dynamic (VGA - HDTV)
Lens	High-end ultra wide-angle hemispheric lens 180° (D), 150° (H), 82° (V), straightened, IR-capable
Night vision	Yes, light sensor, automatic IR-cut filter, Infrared LEDs (850 nm)

AUDIO

Audio components	Speaker and microphone, noise reduction and echo cancellation (ANR, AEC)
Audio streaming	Two-way, full duplex

NETWORK

Ethernet	PoE 802.3af Mode-A, 10/100 Base-T
Supported protocols	HTTP, HTTPS, SSL/TLS, Bonjour, DNS, RTSP, RTP, TCP, UDP, RTCP, ICMP, DHCP, ARP, SIP, DTMF (RTP [RFC-2833], SIP INFO [RFC-2976]), STM

MOTION SENSOR

Type	Active
Detection angle	80° (H), 50° (V)
Range	1 - 6 m (3.3 - 19.7 ft), depends on environment, configurable in 1 m (3.3 ft) steps.
Technology	4D. Based on multiple integrated sensors and algorithms, e.g. Radio Frequency Energy (RFE)
Configuration	Via App, e.g. <ul style="list-style-type: none"> Range (1 - 6 m / 3.3 - 19.7 ft) Movement direction (coming, leaving, both) Individual events (e.g. switch a relay, push notification, SIP call [audio/video], HTTP(s) requests) Individual schedules

INTEGRATED WIRELESS MODULES

Bluetooth	Bluetooth Low Energy (BLE), enabled with future firmware and App update
Sensor	24 GHz, can be disabled

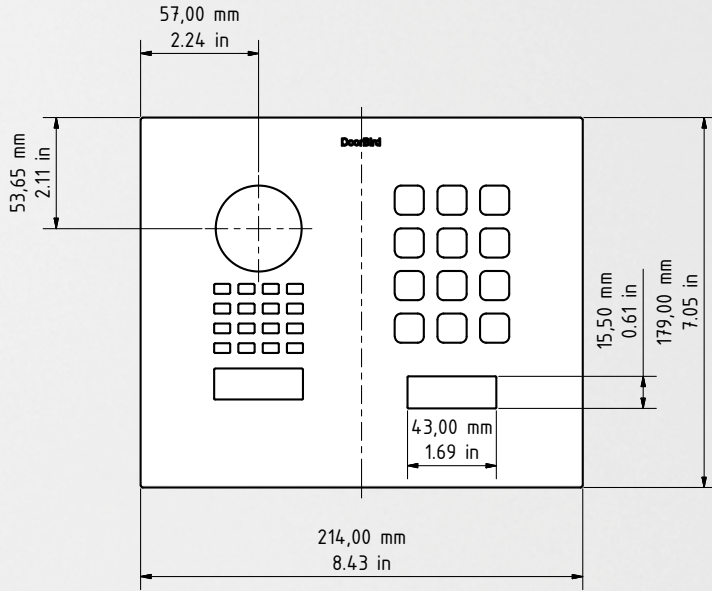
THIRD-PARTY INTEGRATION (DOORBIRD CONNECT)

Partner integrations	see www.doorbird.com/connect
API	see www.doorbird.com/api
Simultaneous video streams	One, for event-based recording

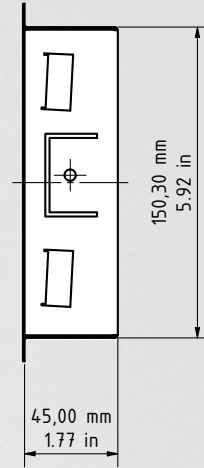
OPTIONAL ACCESSORIES

Sold separately	see www.doorbird.com/buy
-----------------	--

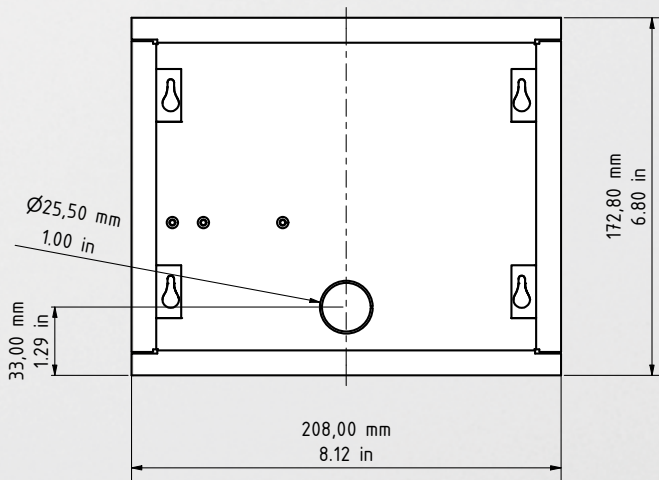
Front panel material thickness: 3.0 mm (0.12 in)



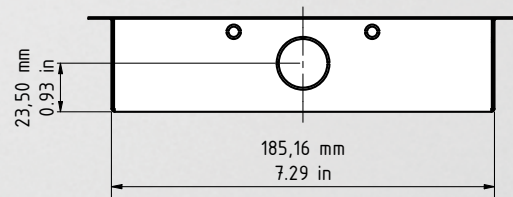
Front panel



Flush-mounting housing (backbox)



Flush-mounting housing (backbox)



Flush-mounting housing (backbox)