



## HEATIT Z-TRM6 DC WHITE RAL 9003

Z-Wave thermostat 3A (Dry Contact) 868.4 MHz

**Art.no** 5430561

**GTIN** 7071236018988

Heatit Z-TRM6 DC is an electronic thermostat with a potential free relay, designed for boiler control, heat pumps and actuators. The thermostat can be controlled through your Z-Wave network or via the buttons on the front. The thermostat has a user friendly interface.

Heatit Z-TRM6 DC has 3 modes; Heat - Cool and Eco.

The thermostat fits in standard European junction boxes and may be used with most System 55 frames. It has a sturdy metal frame for secure fastening on the junction box. The thermostat has one built-in room temperature sensor. Two additional external temperature sensors may also be connected.

Heatit Z-TRM6 DC allows you to set the power metering value manually.

The thermostat can be set up with multiple associations and can be used as a master thermostat. It can control up to 10 thermostats and 10 external relays E.g wall plugs.

### PRODUCT FEATURES

- Z-Wave thermostat
- Internal room sensor
- External room sensor (wired by cable)
- Floor sensor
- Temperature limiter
- Boiler control and heat pumps
- Control of actuators
- 3 modes: Heat - Cool and Eco
- Hysteresis/PWM
- Temperature calibration
- Open window detection
- Relay status icon
- Adjustable display brightness
- Single pole switch
- Lock mode/child lock
- Temperature readout in gateway
- Weekly schedule in gateway
- Manual power metering
- SmartStart
- Firmware update (OTA)
- Supports encryption modes S0, S2 Authenticated Class, S2 Unauthenticated Class

### THERMOSTAT DATA

Compatible NTC-sensors (kΩ @ 25°C)	6.8, 10, 12, 15, 22, 33, 47, 100
Error margin temperature	0,5°C
Temperature sensitivity	Temperature sensitivity ±0,5
Hysteresis	0,3 to 3,0 (default hysteresis 0,5)
Ohm value at 25°C	10kΩ
Regulation temperature	5 til 40°C

### IOT / SMART HOME SPECIFIC DATA

Z-Wave Frequency	Z-Wave - 868.4 MHz (EU)
Z-Wave Chip	Z-Wave 800 chip
Alternate IoT-communication procols	No alternative communication protocols
Min radio frequency range	40m
Over The Air update (OTA)	Yes
Push buttons	3
Temperature measurement range	5 til 40°C
Z-Wave encryption mode	S2 Unauthenticated Class S0 S2 Authenticated Class
Primary IoT Protocol	Z-Wave

### ELECTRO TECHNICAL DATA

Voltage	230VAC 50Hz
Max current	3A
Own power usage	2W
Switch type	One-pole switch
Connection type	Screw clamps
Connection terminals diameter	0.2 til 2.5mm <sup>2</sup>
Max tightening torque connections	2N·m



## MAINTENANCE

The device is maintenance-free. Indoor use only.

## ADDITIONAL INFORMATION

Approved to be used in bathrooms.

The product must be used with a security-enabled Z-Wave Controller in order to fully utilize security/encryption.

## PRODUCT INFO RETURN AND RECYCLING

The product must be recycled as electronic waste.

## STANDARDS

Certification	Reach RoHS	EN Standards	Nemko Z-Wave Plus CE
IP Class	IP21	Heatit Controls AB declares that this product is in compliance with the essential requirements and other relevant provisions of Directive 2014/53/EU.	1

## WARRANTY

Warranty Norway	5 years	Warranty international	2 years
-----------------	---------	------------------------	---------

## LOGISTICAL DATA (F-PACK)

Width	90mm	Height/diameter	70mm
Length	90mm	Weight	165g
GTIN	7071236018988	Unit	EA
Consists of unit	EA	Quantity	1

## LOGISTICAL DATA (M-PACK)

Width	205mm	Height/diameter	105mm
Length	375mm	Weight	2240g
GTIN	27071236018982	Unit	BOX
Consists of unit	EA	Quantity	10

**LOGISTICAL DATA (D-PACK)**

Width	385mm	Height/diameter	550mm
Length	425mm	Weight	23320g
GTIN	37071236018989	Unit	BOX
Consists of unit	BOX	Quantity	100

**DISCLAIMER**

The device has a built-in potential free relay of max 3A that is designed for the usage of up to 3x 24VDC actuators.

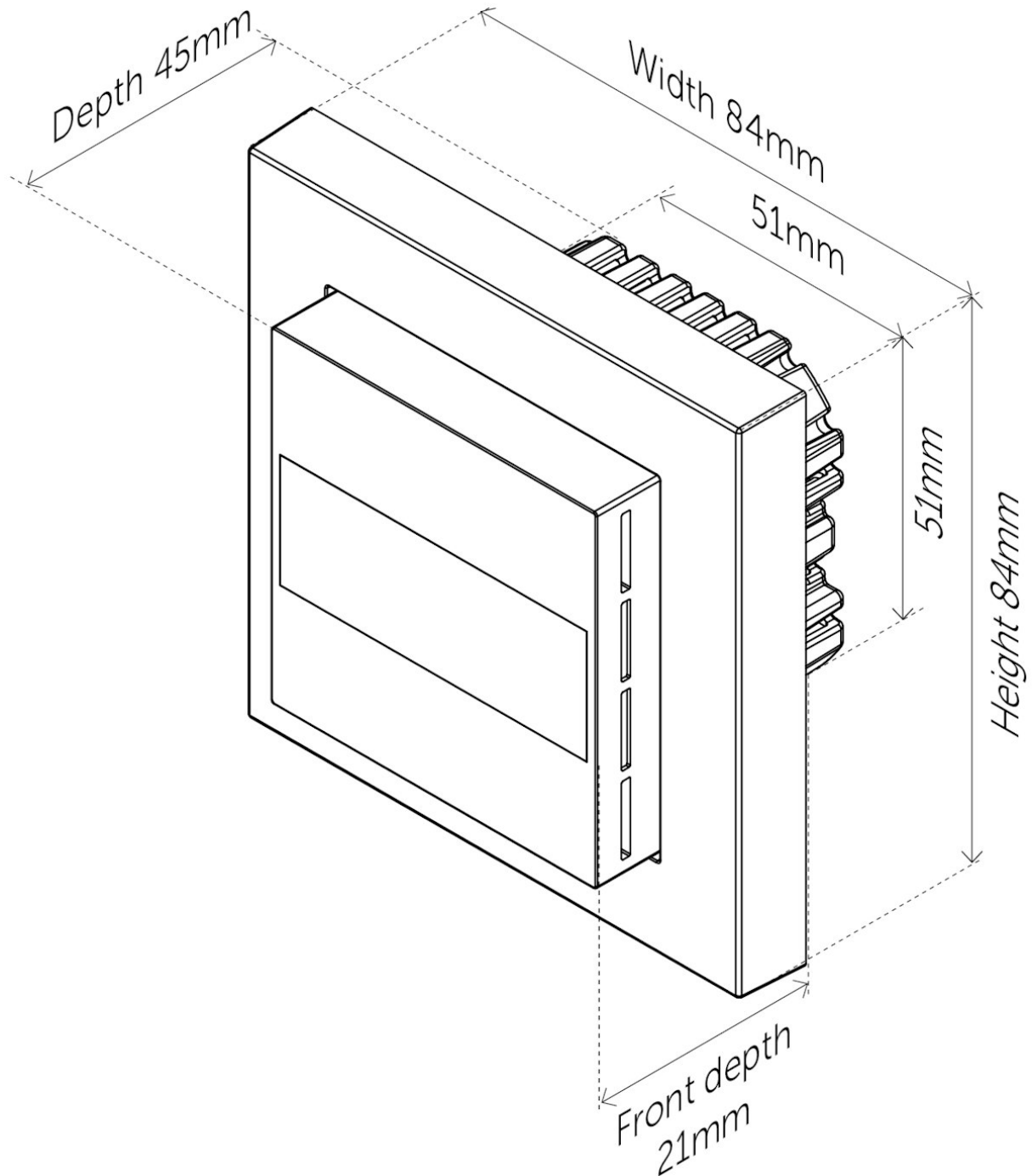
We develop and design our products according in accordance with our strict quality requirements (ISO 9001) and environmental requirements (ISO 14001).

All electrical installations must be carried out by an authorized electrical installer. The product must be installed in accordance with our installers manual and national building codes. Any wrongful installation, misuse, damage of the product, is not covered under warranty.

Updated documentation is available at [www.heatit.com](http://www.heatit.com) and/or [documents.heatit.com](http://documents.heatit.com)

Heatit Controls AB can not be held liable for any type of errors or omissions in our product information.

Product specifications may change without further notice.



**Heatit Z-TRM6 DC White RAL 9003 can be ordered from**  
**[www.heatit.com/5430561](http://www.heatit.com/5430561)**

All additional documentation are available on the above adress and on [documents.heatit.com/5430561](http://documents.heatit.com/5430561)

