

OUTDOOR LIGHT SENSOR

The outdoor light sensor O2LINE is designed to measure the luminosity from outside and to send the information wirelessly to an adapted receiver.

Featuring a light detection range from 300 to 3,000 lx, the sensor sends a signal immediately as soon as the light variation exceeds 500 lux.

Moreover, if no variation has been reported, a signal is automatically sent approx. every 100 seconds.

Waterproof, the sensor can be fixed on an outside wall.

It is always possible to switch it on or off manually, but the sensor insures that light remains on or off according to the outside luminosity.

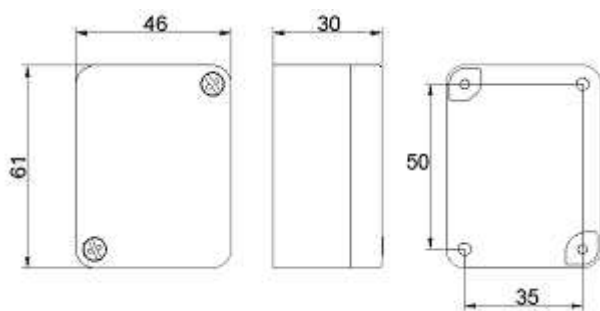
Associated to an EnOcean receiver, it allows a lot of configurations for energy saving and greater comfort.



CODE 10020052 OUTDOOR LIGHT SENSOR

SPECIFICATIONS

Antenna / transmission reach	about 30m inside (according to the configuration)
Power supply	1 solar cell with internal storage capacity, reloads if in the presence of minimum of 400 lux over more than 5 hours
Frequency / Channel / Modulation	868.3MHz / 280 kHz ASK
Transmission Frequency	Every 100 seconds
Installation height	More than 2.5 meters away from trees or shaded zones
Detection reach	from 300 to 30,000 lux.
Colour	Grey
Ingress Protection Rating	Outdoor use – IP54
Operating temperature range	-20°C up to +55°C



Placement

