

Applicable Model

HyPanel Pro
PG71N-R2-EU

Drawing Title

Home Control Center
Panel

Drawing Unit

mm

Drawing Scale

Not to scale

**DRAFT
CHANGE TO
SUBJECT**

Last Revised

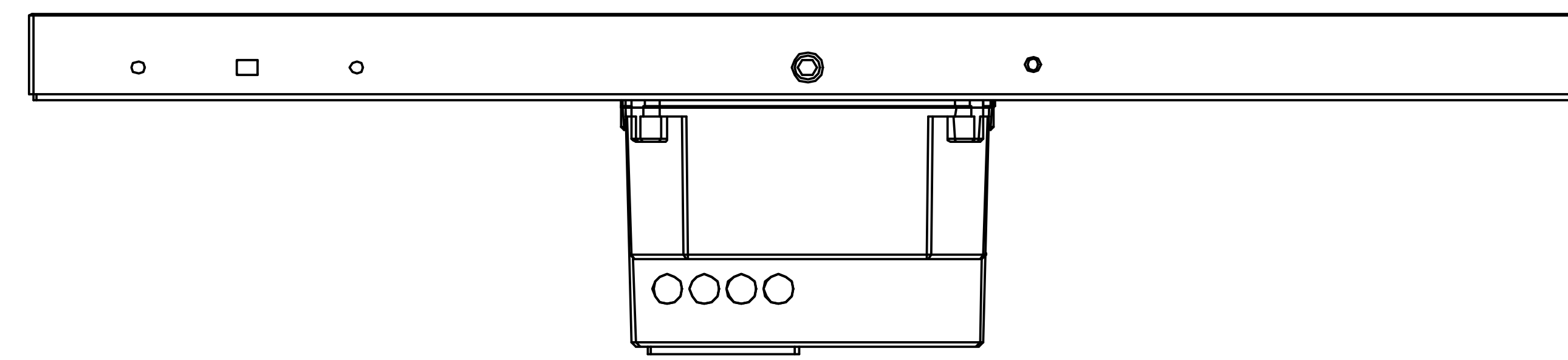
Jun.01,2023

Drawing Version

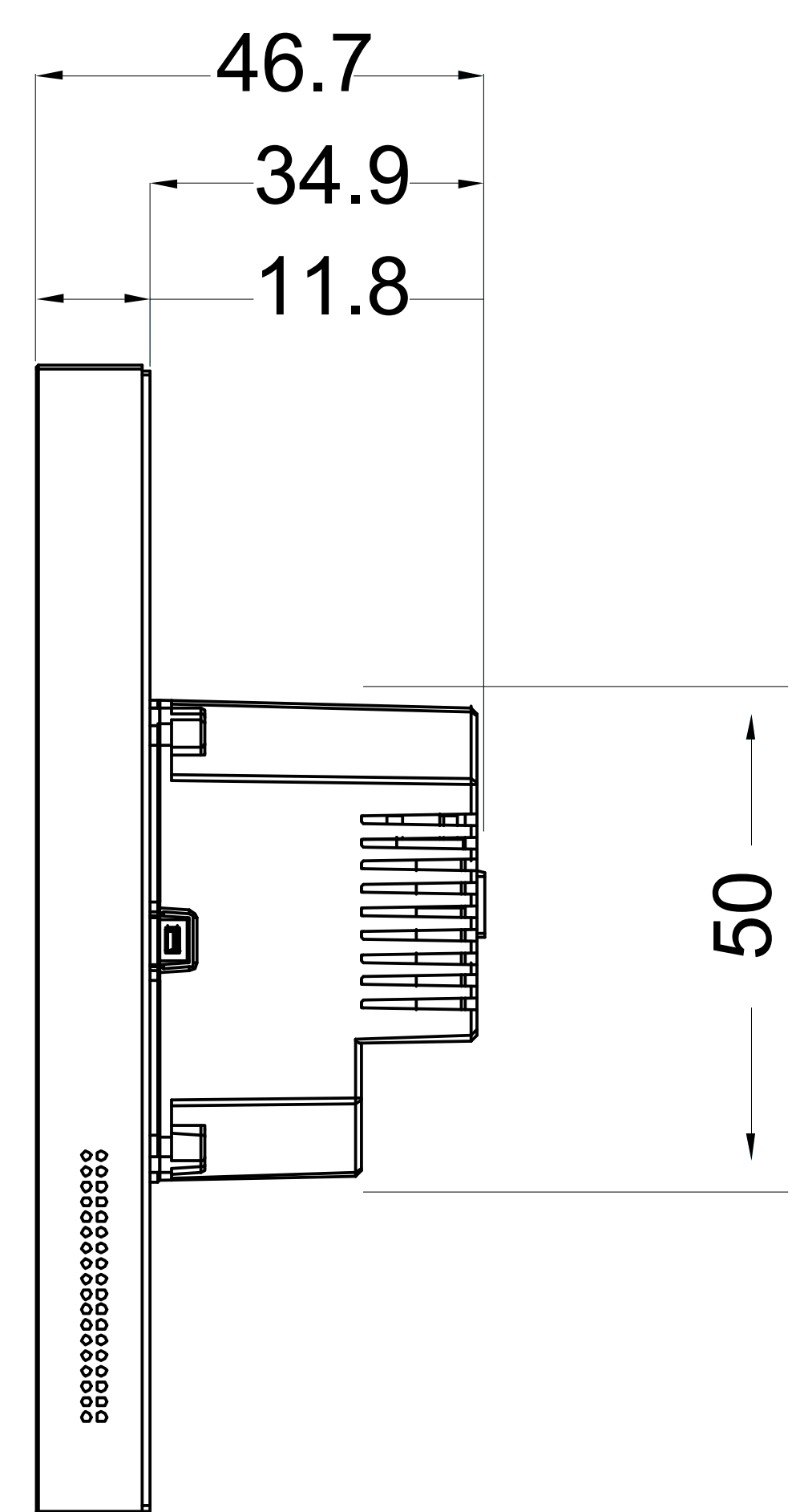
V1.0

Page

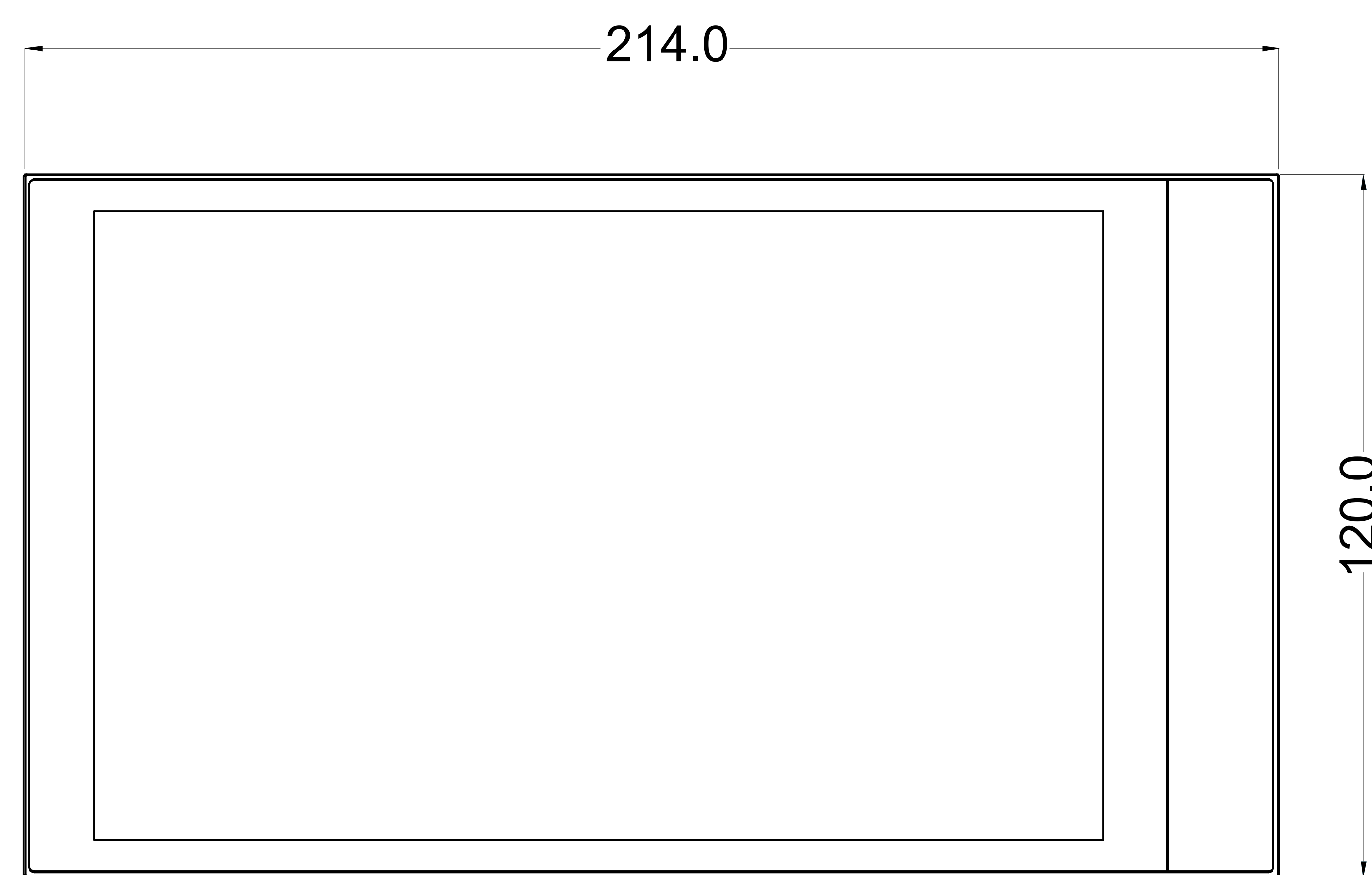
1 of 2



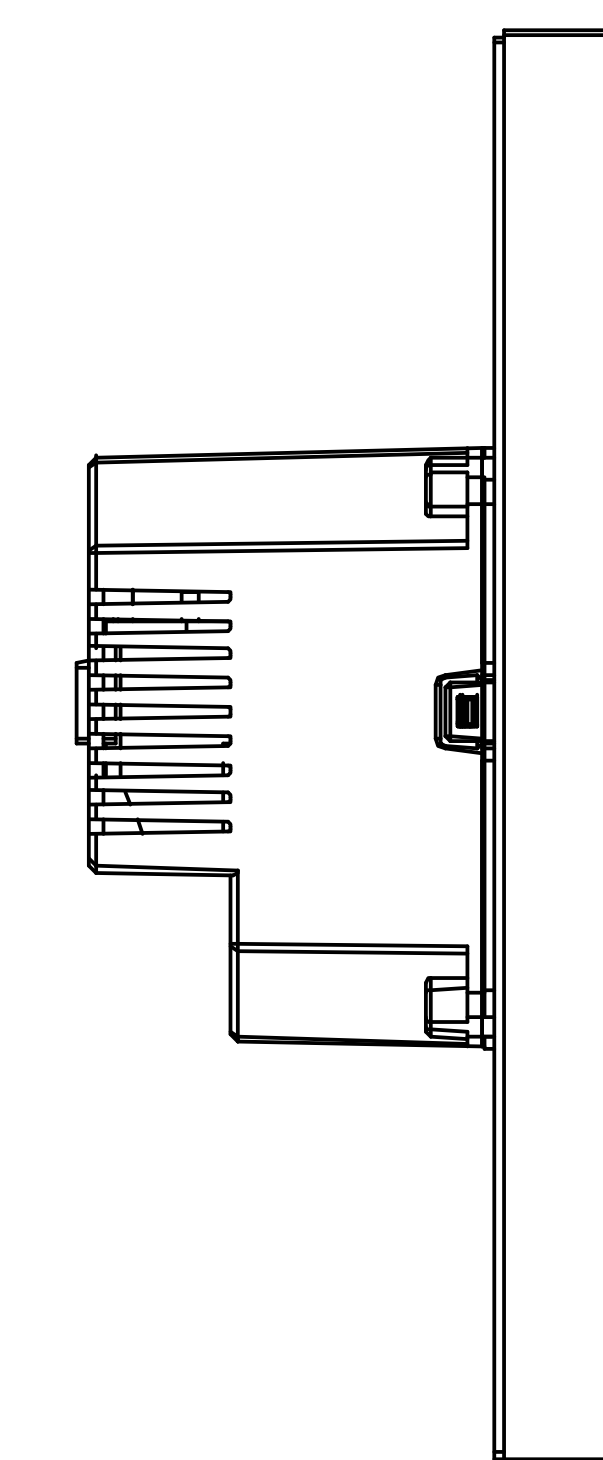
5 **BOTTOM VIEW**



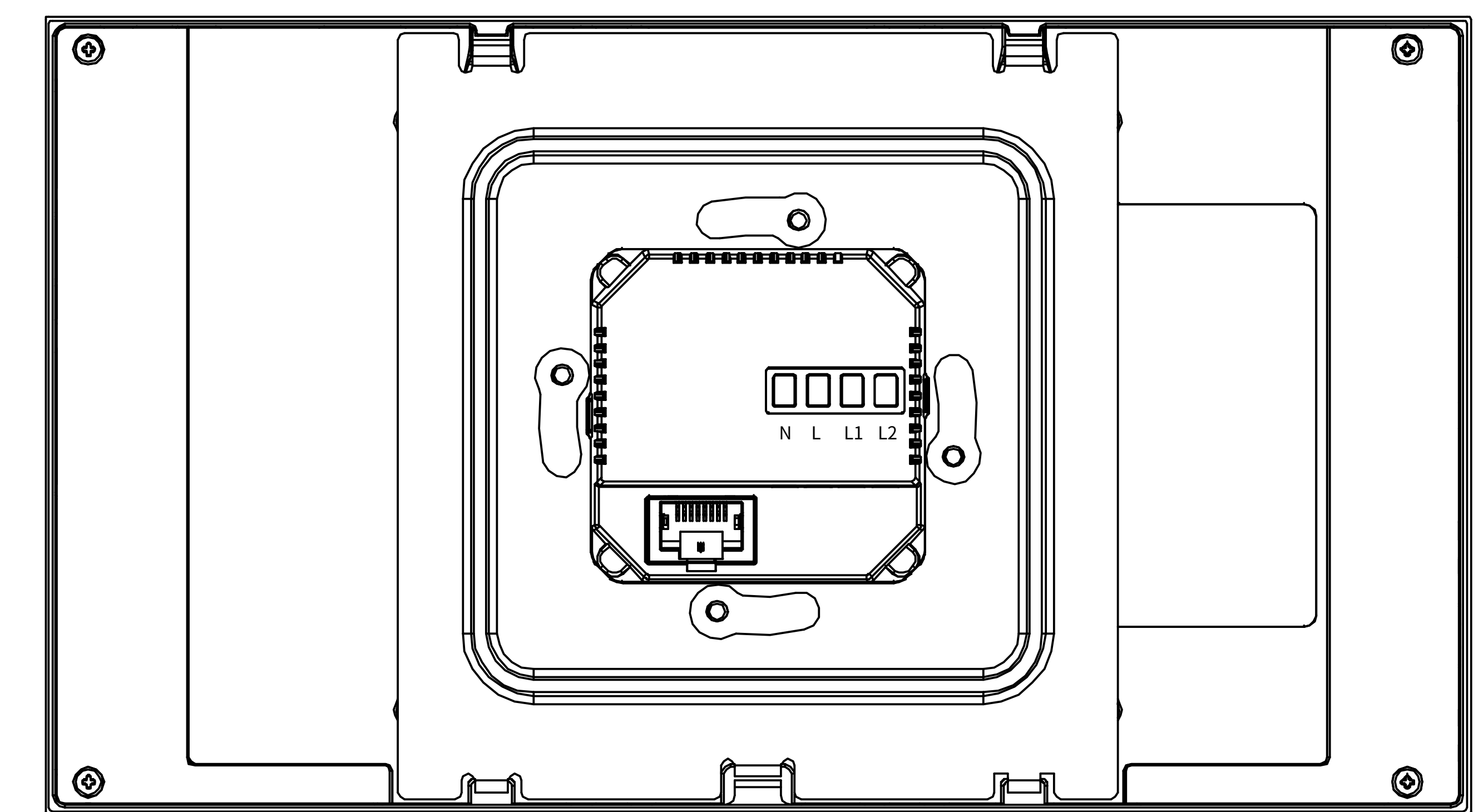
2 **RIGHT VIEW**



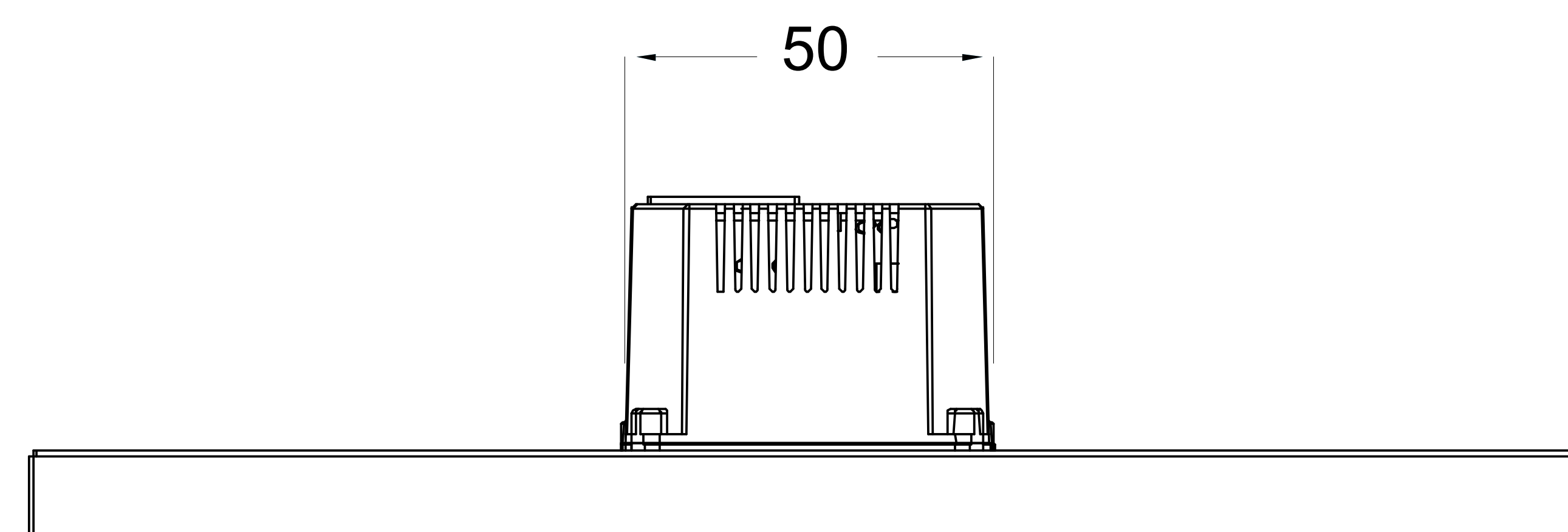
1 **FRONT VIEW**



3 **LEFT VIEW**



4 **BACK VIEW**



6 **TOP VIEW**

Applicable Model

HyPanel Pro
PG71N-R2-EU

Drawing Title

Placement

Drawing Unit

mm

Drawing Scale

Not to scale

**DRAFT
CHANGE TO
SUBJECT**

Last Revised

Jun.01,2023

Drawing Version

V1.0

Page

2 of 2

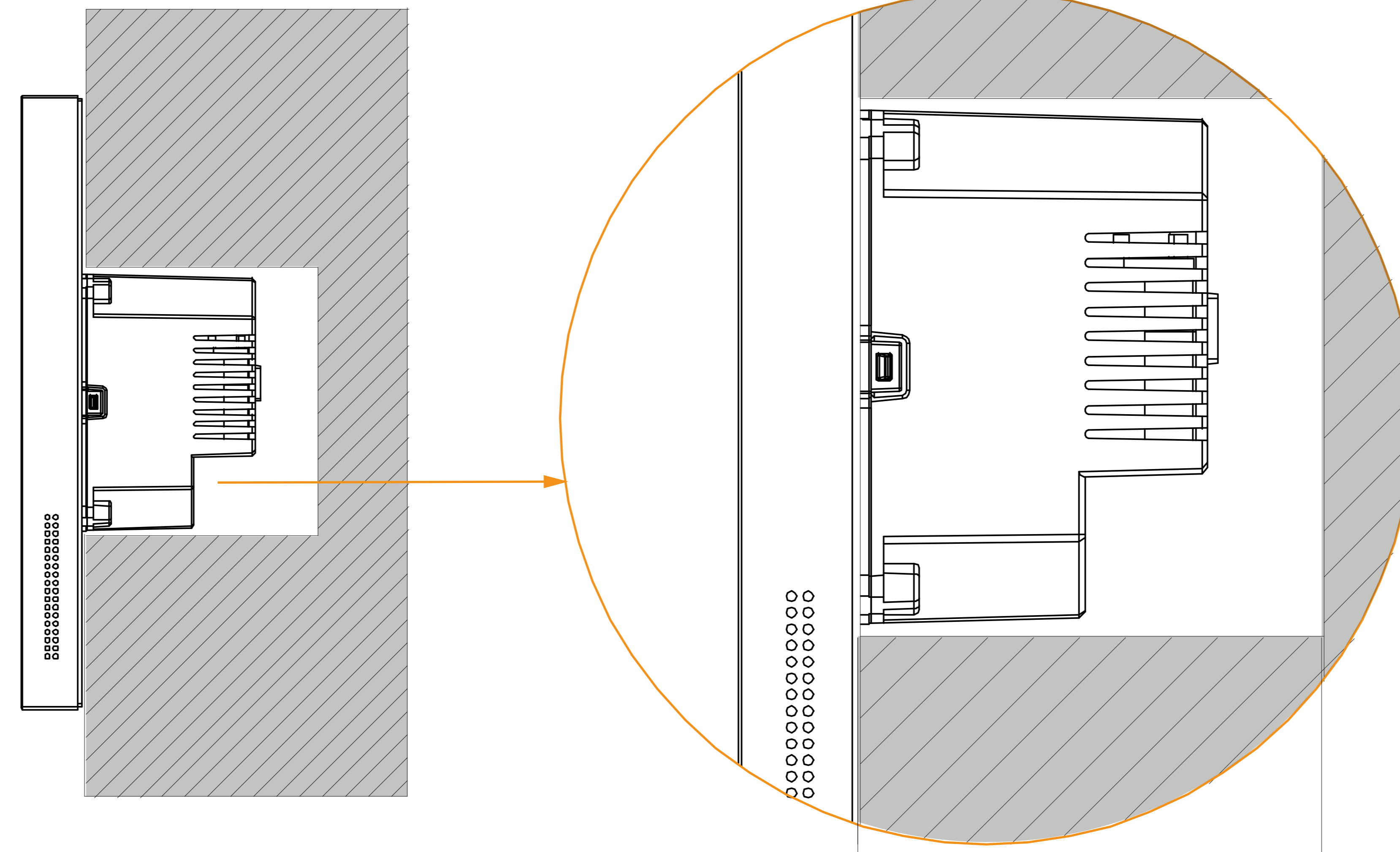


① HYPANEL PRO FRONT VIEW

1100-1600mm TO BOTTOM OF PANEL

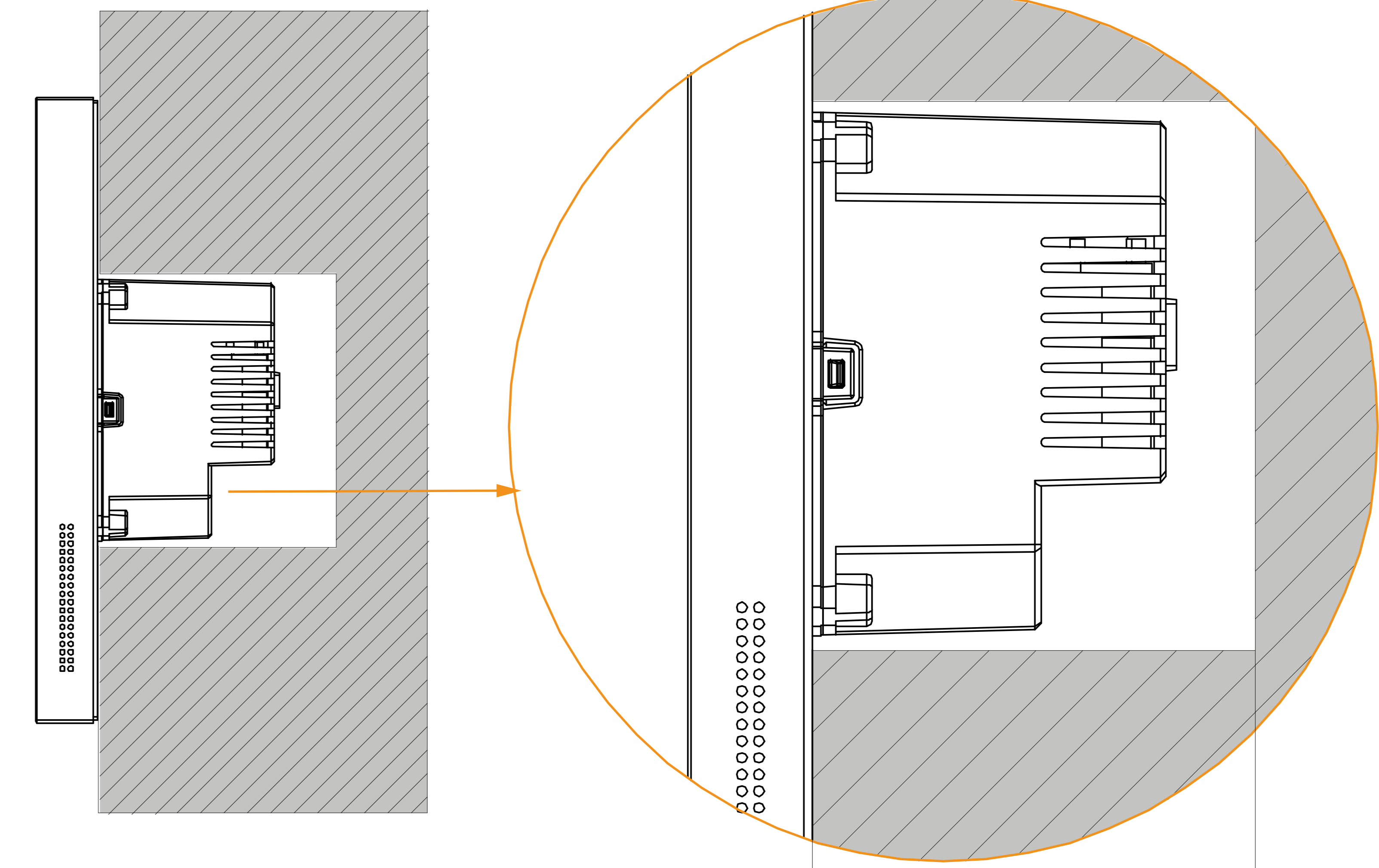
ADA Compliance Requirement

GROUND



50mm

② SIDE VIEW:HYPANEL PRO IN WALL



40mm

A 50mm(2inches) deep electrical box is highly recommended for ease of installation. In some scenarios, especially when the wires can be pushed back into the wall far enough, it may be possible to use a 40mm(1.6 inches) deep box.