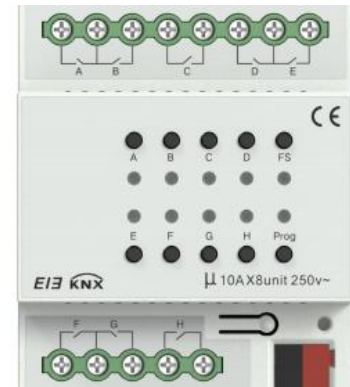


## *Premium Add-on device for your home*

The 8-channel, 10A switch module is a versatile KNX smart device equipped with eight independent output channel, seamlessly integrates manual operation, scheduled execution, and real-time status monitoring functions. It boasts advantages in energy saving, flexibility, and safety, making it an indispensable part of the smart home ecosystem.

## *Features*

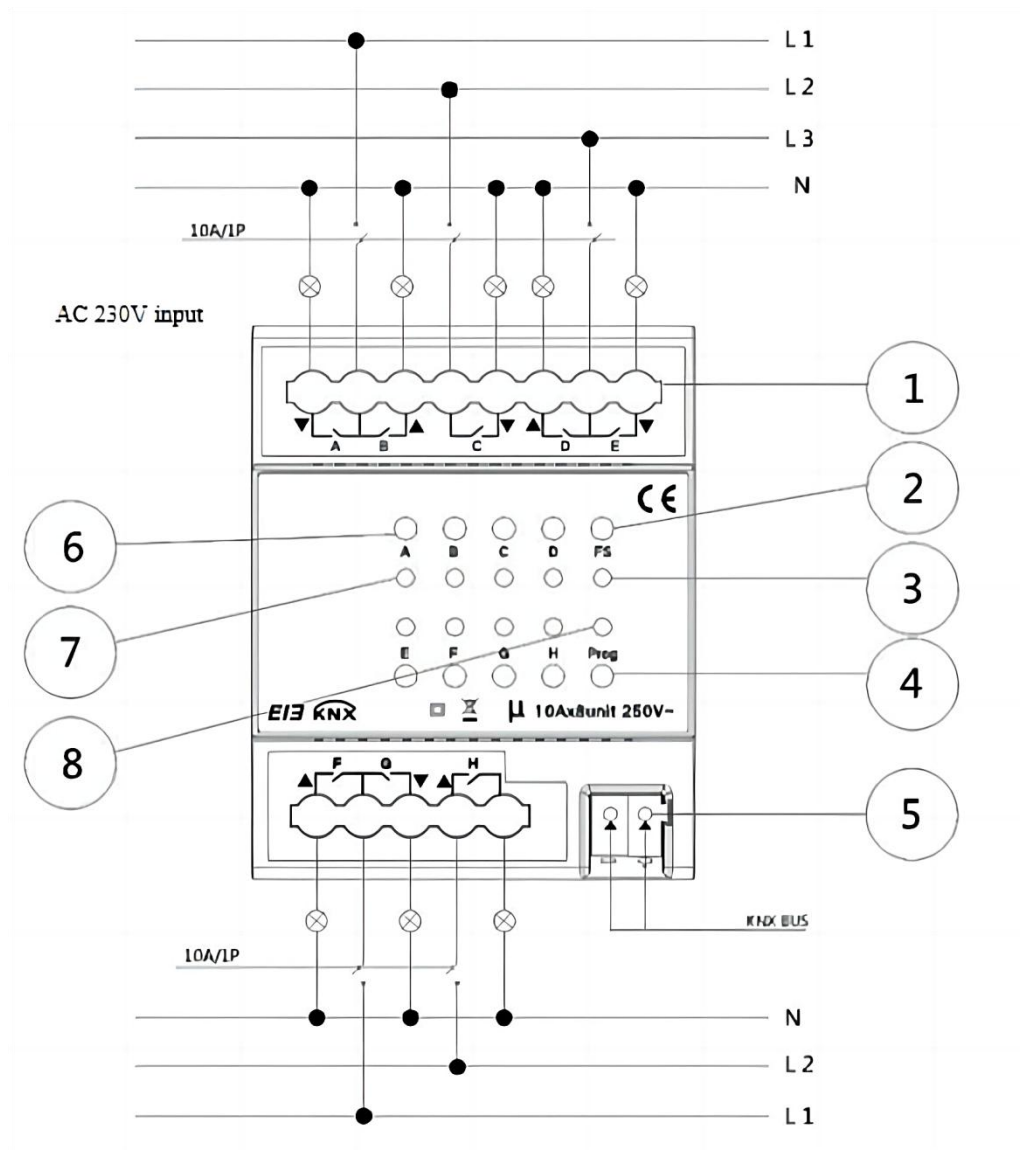
- Supports the manual operation of turn on/off the switch
- Set the timing function, featuring a delayed turn on/off switch function
- Offer feedback on the switch status of the device
- Supports configurable scene functionality
- Set up and use easily



## Specification

- Model Number: KXAC-B1R8A10
- Power Supply: 21 ~ 30VDC, powered by the bus
- Working Temperature: -5 ~ 45°C
- Working Humidity: 0 ~ 93%RH
- Connections: EIB/KNX
- Product Size: 72×90×64mm
- Weight: 0.24kg
- Rated Voltage: 250V/440VAC, 50/60Hz
- Output Switch Current: Compliant with AC1 (EN60947-4-1) (resistive load), 10A/230V; Compliant with AC3 (EN60947-4-1) (capacitive load), 10A/230V; Compliant with EN60669 fluorescent lamp load, 10A/230V
- CE standard: Compliant with EMC and low voltage standards, EN50 090-2-2

Wiring Diagram



- ① Output/Load Terminal
- ② Manual and Automatic Mode Switching Button
- ③ Manual and Automatic Mode Switching Indicator Light
- ④ Programming Button
- ⑤ Knx Wiring Terminal
- ⑥ Relay Control Button
- ⑦ Relay Status Indicator Light
- ⑧ Programming Led Indicator, the green LED signifies the entry into physical address programming mode.